

Features

- 122 airjets release thousands of heated bubbles that surround, support, and massage the body.
- Variable-speed blower lets you adjust massage intensity to 18 levels.
- Bask® heated surface creates spa-like relaxation with soothing warmth on your back, shoulders, and neck.
- Built-in heater.
- Automatic and manual purge cycles remove residual water from air channels after use.
- 60-minute automatic shutoff timer.
- Slotted overflow allows for deep soaking.
- Integral lumbar support.
- Keypad control.
- Textured bottom surface.

Material

- Acrylic.

Technology

- Heated BubbleMassage™ technology warms and humidifies air before it enters the bath.

Installation

- Alcove.
- Integral flange.
- Right drain.
- 120 V electrical requirement allows for easy installation with standard outlet.
- Requires two dedicated circuits.

Required Products/Accessories

K-7271 Brass Slotted Overflow Bath Drain

or

K-7272 PVC Slotted Overflow Bath Drain

Recommended Products/Accessories

K-1491 Bath/Whirlpool Pillow
K-1601 Bath/whirlpool footstop, removable
K-531 Under-Mount Installation Kit
K-9498 3" Keypad Trim
K-24916 Wireless Music Kit
K-1705 Whirlpool/BubbleMassage™ Remote Control
K-702200-G73 Frameless Sliding Bath Door
K-702200-L Frameless Sliding Bath Door
K-706000-D3 Frameless Sliding Bath Door
K-706000-L Frameless Sliding Bath Door
K-706003-L Frameless Sliding Bath Door
K-706004-D3 Frameless Sliding Bath Door
K-706004-L Frameless Sliding Bath Door
K-706007-L Frameless Sliding Bath Door
K-1177 Vinyl Tiling-in Bead



ADA

Codes/Standards

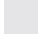





ASME A112.19.7/CSA B45.10
CSA B45.5/IAPMO Z124
ASTM E162
ASTM E662
UL 1795
CSA C22.2 No. 218.2
ADA
ICC/ANSI A117.1

KOHLER® Hydrotherapy Components Five-Year Limited Warranty KOHLER® Plastic Baths and Receptors Lifetime Limited Warranty

See website for detailed warranty information.

Available Colors/Finishes

Color tiles intended for reference only.

Color	Code	Description
	0	White
	96	Biscuit
	NY	Dune
	95	Ice™ Grey
	58	Thunder™ Grey
	7	Black Black™

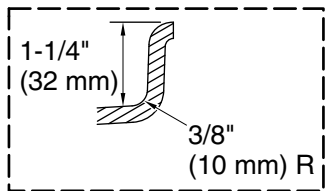


Underscore® Rectangle

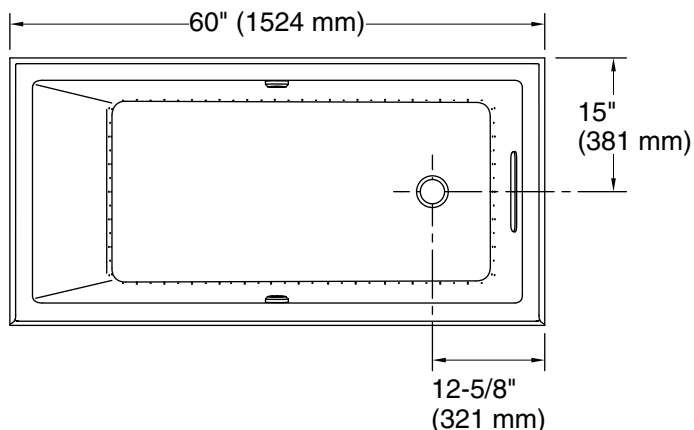
60" x 30" Heated BubbleMassage™ air bath w/ Bask®

K-1167-GHRW

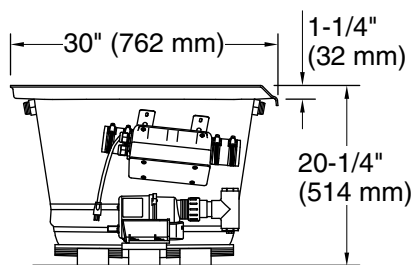
No change in measurements if connected with drain illustrated. (K-7271)



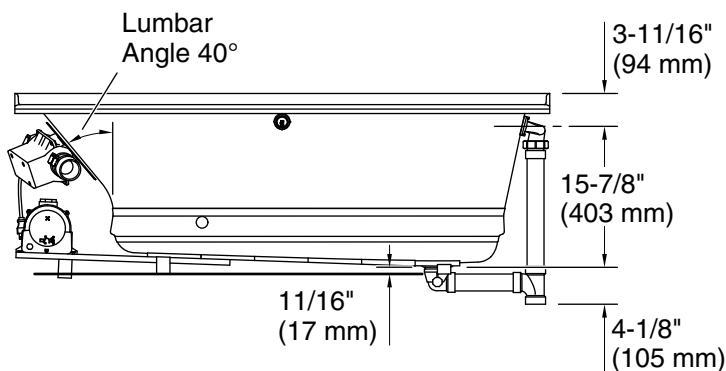
Integral Flange Detail



Blower Motor Access
30" (762 mm) W x 15" (381 mm) H Min



1-1/2" Bath Drain



Required Electrical Service

Two dedicated circuits required, protected with Class A Ground-Fault Circuit-Interrupter (GFCI). Outside North America, this device may be known as a Residual Current Device (RCD).

Blower, Heated Surface: 120 V, 15 A, 60 Hz

Air bath: 120 V, 15 A, 60 Hz

Technical Information

All product dimensions are nominal.

- Installation: Three-wall alcove
- Basin area, bottom: 42-3/8" x 20" (1076 mm x 508 mm)
- Basin area, top: 54-3/8" x 24-5/16" (1381 mm x 618 mm)
- Weight: 106 lbs (48.1 kg)
- Minimum floor load: 44 lbs/ft² (214.8 kg/m²)
- Water depth: 15-1/16" (383 mm)
- Water capacity: 59.8 gal (226.4 L)
- Electrical component rating: Blower: 120 V, 10 A, 60 Hz
Heated Surface: 120 V, 0.5 A, 60 Hz, 65 W
Air bath: 120 V, 5 A, 60 Hz
- Blower speed: Variable

Notes

- Measure your actual product for rough-in details.
- Install this product according to the installation instructions.
- The hot water supply should be 70% of the capacity of the bath or greater. Installations will vary.
- ADA compliant when installed to the specific requirements of these regulations.

1-800-4KOHLER (1-800-456-4537)

Kohler Co. reserves the right to make revisions without notice to product specifications.

For the most current Specification Sheet, go to www.kohler.com.

8-7-2021 04:48 - US/CA

